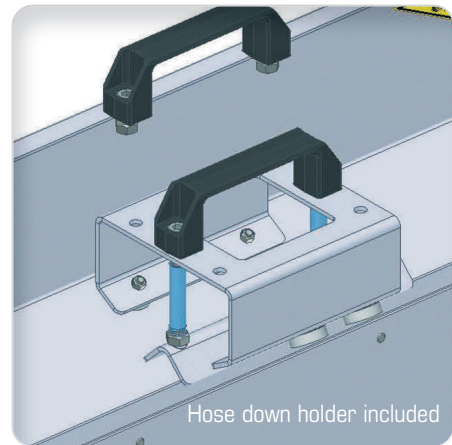
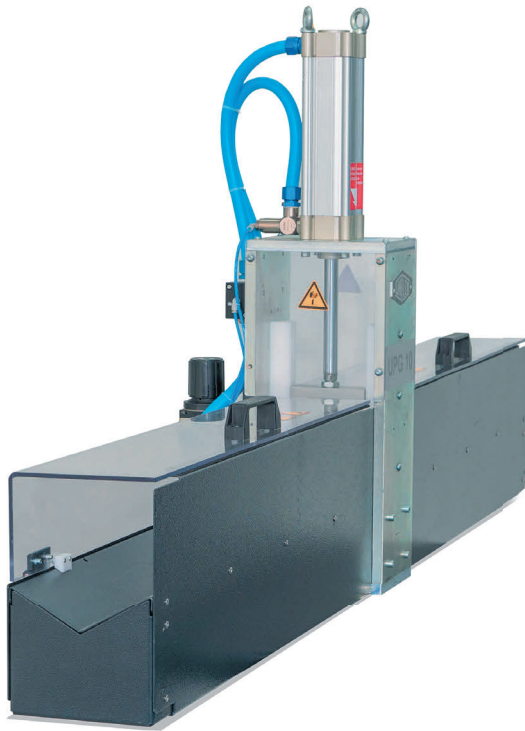


UPG 10

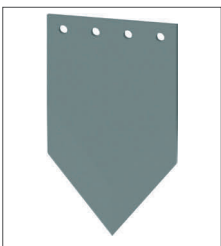
Cutting thick industrial hoses like a hot knife through butter is not very easy, even if the hoses are not metal-reinforced. Therefore, UNIFLEX has developed a special cutting machine for extremely fast, simple and clean cuts of hoses up to a diameter of 2" with a pneumatically driven and razor-sharp guillotine. Safety and protection at the workplace and ergonomics are a matter of course for this UNIFLEX machine – as is the 2-year manufacturer's warranty.



UPG 10

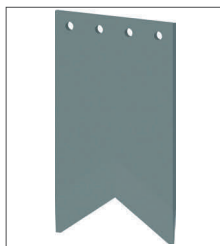
Technical Data	UPG 10
Guillotine for industrial hoses without steel wire	up to 3" (max. OD: 90 mm/3.45")
L x W x H (mm)	1,810 x 325 x 800
Weight (kg)	56
Noise level	70 dBA
Air pressure	7 bar
Minimum cut length	20 mm (0.78")

Description



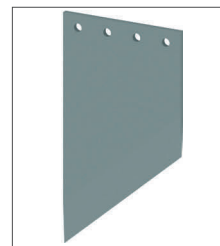
334.001.3: V-shaped knife.
Standard blade for the UPG 10

Universal knife, usable for most thin-walled industrial hose assemblies with/without plastic spiral. Not suitable for hoses with steel reinforcement.



334.033.4: A-shaped knife.
Accessories UPG 10.

For very soft hose assemblies with thicker wall thickness, e.g. rubber hose assemblies. Not suitable for hoses with steel reinforcement.



334.034.4: \-shaped knife (sloping).
Accessory UPG 10.

For hose assemblies without spiral with thin to thick wall thickness. Prevents deformation of the hose line during cutting = very straight cut. Not suitable for hoses with steel reinforcement.